

A1RFRD10

REVISION RECORD				
REV	ECO	DESCRIPTION	DRFT	CHKD
△		ADD PART NO.	Qianpu 5/27/04'	
△		MODIFY NOTE	LIXION 11/08/04'	H
△		ADD PART NO.	Qianpu 12/3/04'	
△		ADD PART NO.	Wang 12/10/04'	
△		ADD PART NO.	PETERS 02/26/05	
△		DRAWING MODIFY	TRONIC 4/11/05	
△		ADD PART NO.	Yoon 11/02/05'	

NOTES:

ELECTRICAL:

- VOLTAGE RATING : 125 VAC RMS.
- CURRENT RATING : 1.5AMP.
- CONTACT RESISTANCE : 45 MILLIOHMS MAX.
- INSULATION RESISTANCE: 1000 MEGOHMS MIN @ 500 VDC.
- DIELECTRIC STRENGTH : 1000 VAC RMS 60Hz, 1MIN.
- CATEGORY 5 CHARACTERISTIC:

Frequency	Near-End Cross Talk dB, MIN.	Return Loss dB, MIN.	Attenuation dB, MAX.
1.0 MHZ	65	23	0.1
4.0 MHZ	65	23	0.1
8.0 MHZ	62	23	0.1
10.0 MHZ	60	23	0.1
16.0 MHZ	56	23	0.2
20.0 MHZ	54	23	0.2
25.0 MHZ	52	14	0.2
31.25 MHZ	50	14	0.2
62.5 MHZ	44	14	0.3
100.0 MHZ	40	14	0.4

LED'S CHARACTERISTICS:

- POWER DISSIPATION: 80mW MAX.
- FORWARD CURRENT: 30mW MAX.
- FORWARD VOLTAGE: 2.2 VOLTS TYPICAL.
- REVERSE VOLTAGE: 5.0VOLTS MAX.
- ANODE -> CATHODE

MECHANICAL:

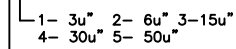
- HOUSING MATERIAL : PBT+30%G.F.
- CONTACT MATERIAL : PHOSPHOR BRONZE t=0.35mm.
- PLATING : GOLD PLATING OVER NICKEL.
- OPERATING LIFE : 750 CYCLES MIN.
- PCB MATERIAL : FR-4, 0.6mm THICKNESS, DOUBLE SIDE
- PCB RETENTION PRE-SOLDER : 1 LB MIN.
- PCB RETENTION POST-SOLDER: 10 LBS MIN.

ENVIRONMENTAL:

- STORAGE : -40°C TO +85°C.
 - OPERATION: 0°C TO +70°C.
- MATES WITH MODULAR PLUG CONFORMING TO FCC PART 68, SUBPART F.
CUL FILE NO. E163191

PART NUMBER: E6588-X20XXX

6-W/ TOP & SIDE TABS
S-W/O TAB

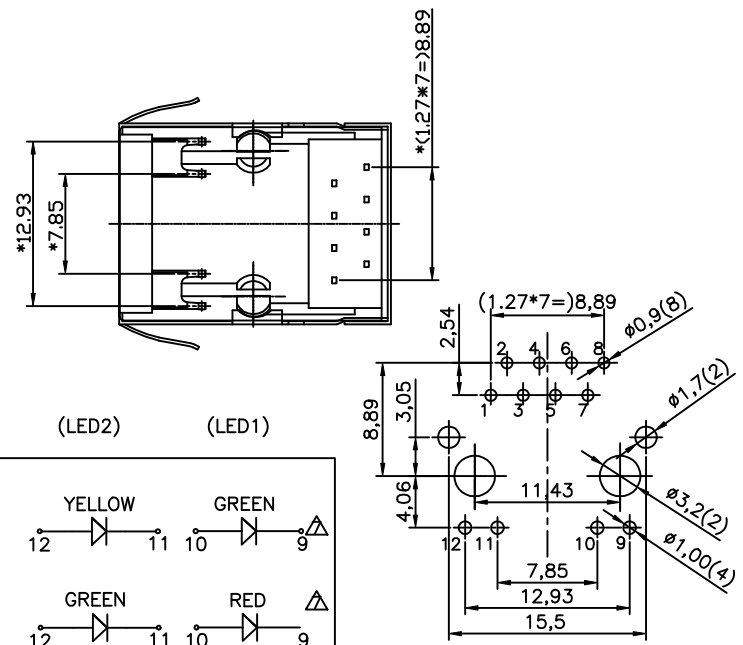
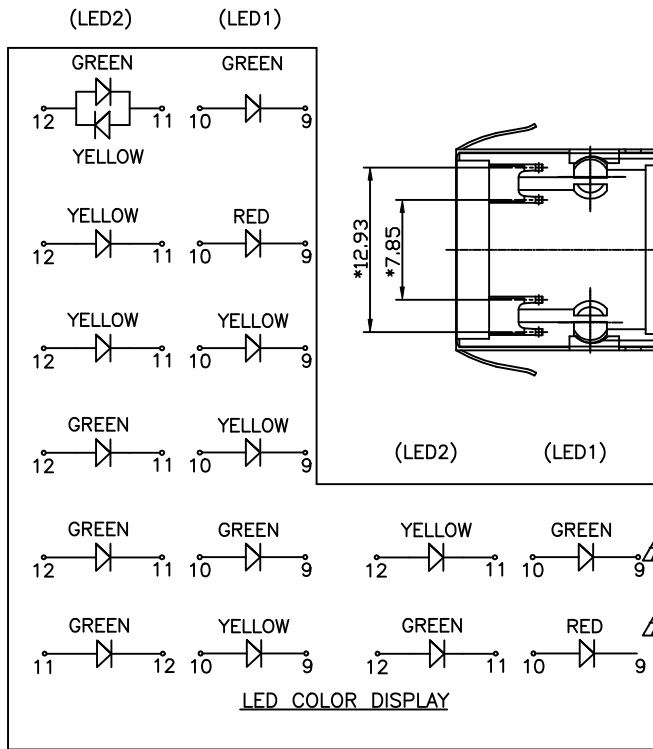
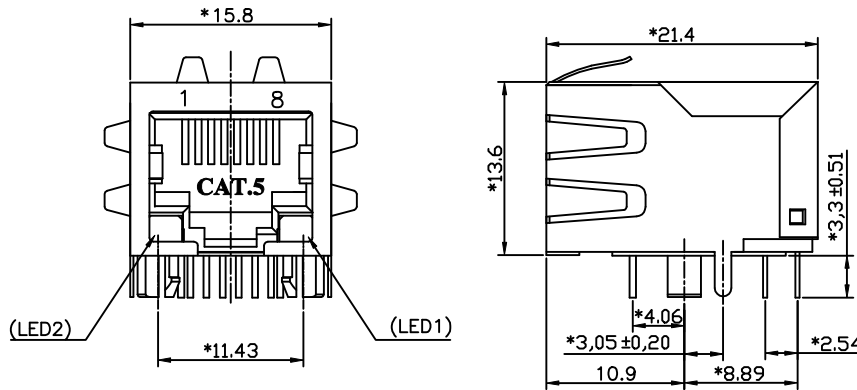
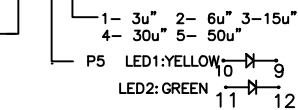


- A-LED1:GREEN LED2:YELLOW
- B-LED1:GREEN LED2:GREEN/YELLOW
- M-LED1:RED LED2:YELLOW
- N-LED1:YELLOW LED2:YELLOW
- H-LED1:GREEN LED2:GREEN
- J-LED1:RED LED2:GREEN
- P-LED1:YELLOW LED2:GREEN

SHIELD: 2-NICKEL
4-NICKEL W/TIN PEG

PART NUMBER : E6588-X20P5X

6-W/ TOP & SIDE TABS
S-W/O TAB



PC Board Thickness=1.60mm
PC Board Layout Component Side Shown

← MM (INCH) →		DFTO CHI	DATE 10/18/02'
TOLERANCES EXCEPT AS NOTED		CHKD JMY	DATE 2005/11/2
		MFO	DATE
		APPVL LUSHING	DATE 2005/11/2
MM	±	MATERIAL :	
.0 ±0.20	±	QT'Y :	
.00 ±0.15	±	FINISH :	
.000 ±0.075	±	SCALE : 2.5:1	
ANGLES ±		DO NOT SCALE DRAWING	
THIRD ANGLE PROJECTION		SHEET X OF Y	

FULL RISE ELECTRONIC CO., LTD

TITLE CAT.5 W/LED
W/O FRE LOGO JACK

DRAWING NO. GE653A36 SIZE A3 REV 7
/PART NO. SEE NOTE